

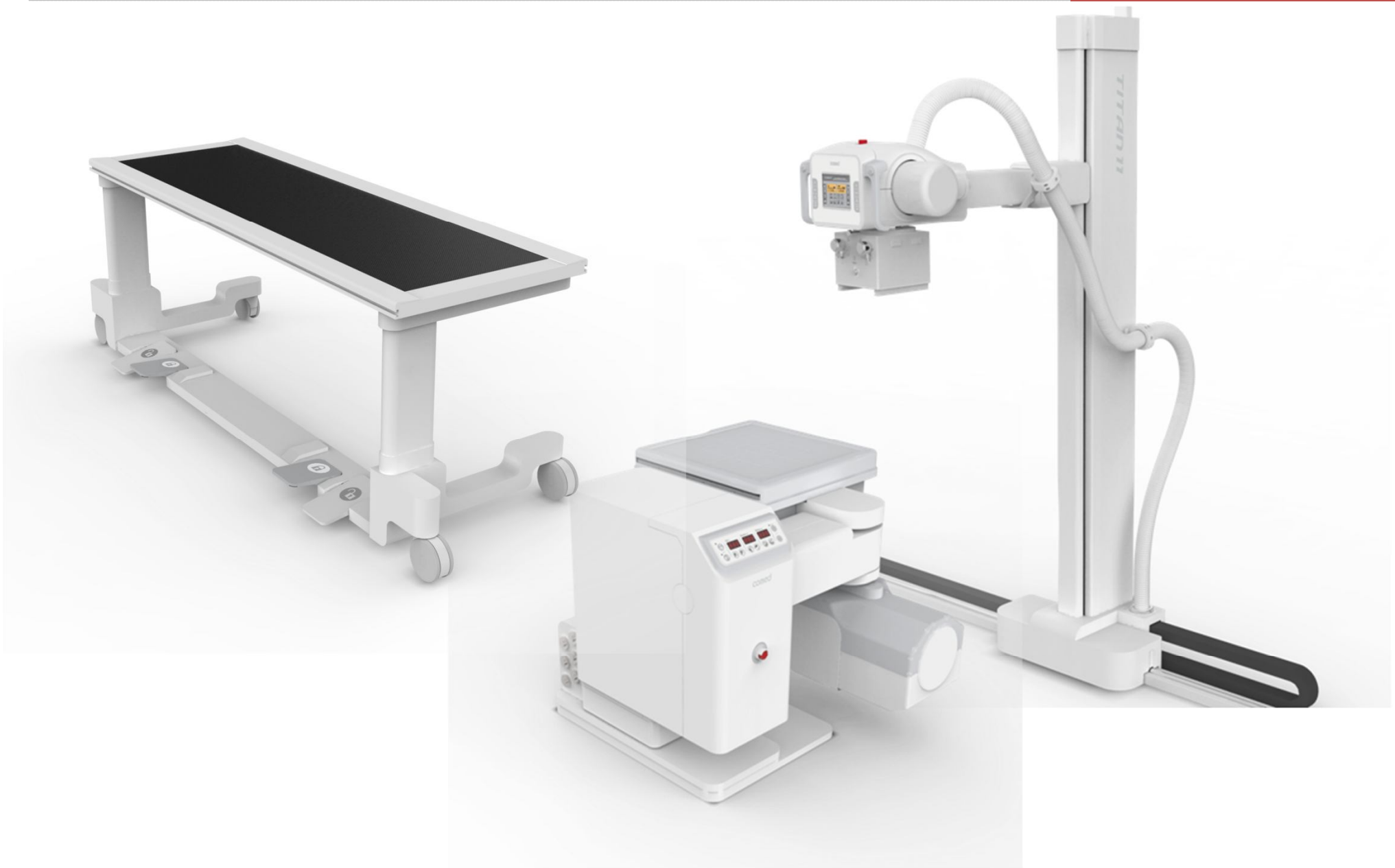
Compact Digital X-Ray System

TITAN 2000_11

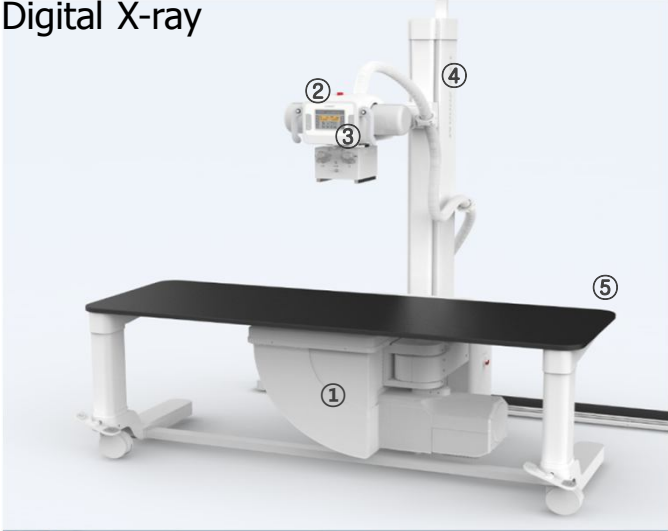


Innovative Smart & Compact DR

TITAN 2000



Standard Configuration

Unit	Model Name	Remarks
Digital X-ray 	TITAN 2000_11	C-arm Unit ① Detector ② X-ray Tube ③ Operating touch panel ④ Tube Stand ⑤ Table

Option

Unit 16M CCD Sensor FPD Detector available AEC(Auto Exposure Controller) Carbon table PU-30 PSU PAU
--

▶ Rotating Detector Arm

- Top and Bottom Rotation Structure
- Left and Right Space Usage is possible

CW45°~CCW135°
CW135°~CCW45°

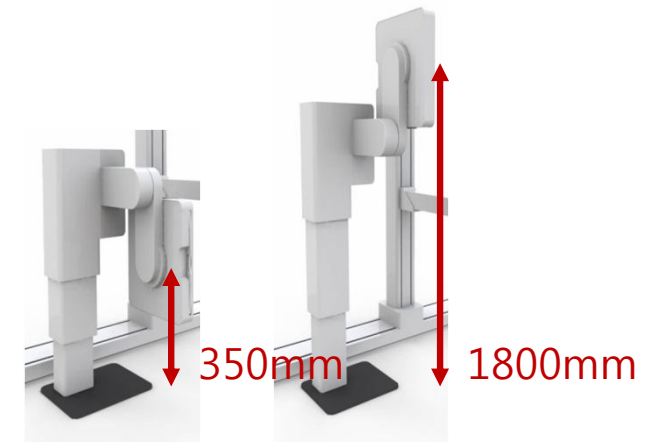


▶ Supporting Maximum Height

- Supporting the height from 350mm level to 1,800mm

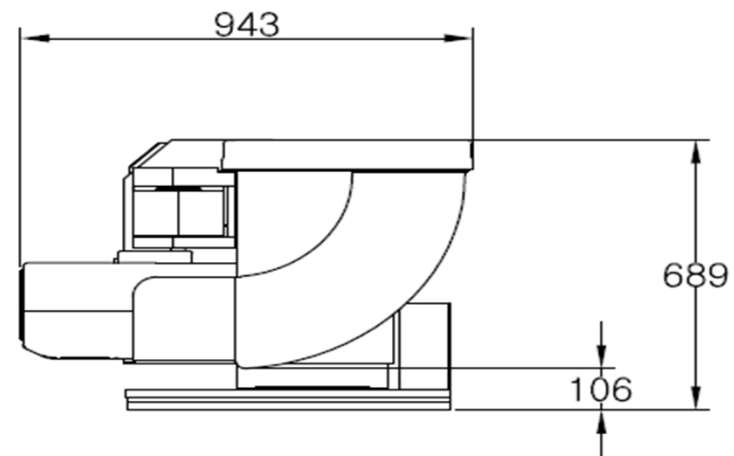
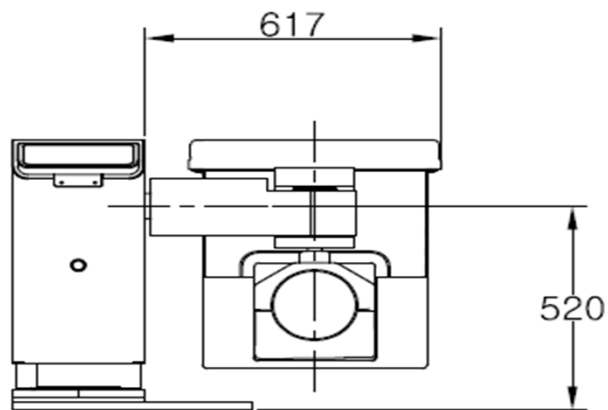
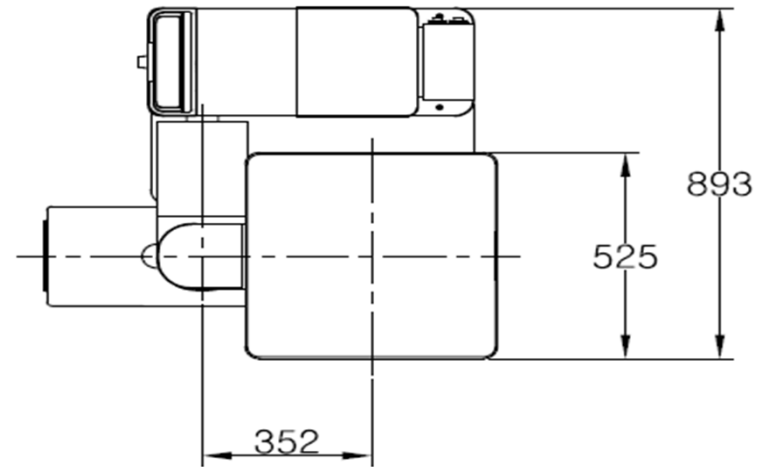
▶ Multi Functional Digital X-ray

- ABDOMEN LATERAL DECUBITUS POSITION
- AP CHEST BEDSIDE POSITION
- LAT WEIGHT BEARING KNEE POSITION
- ROSENBERG POSITION
- SWIMMER POSITION



DIMENSION

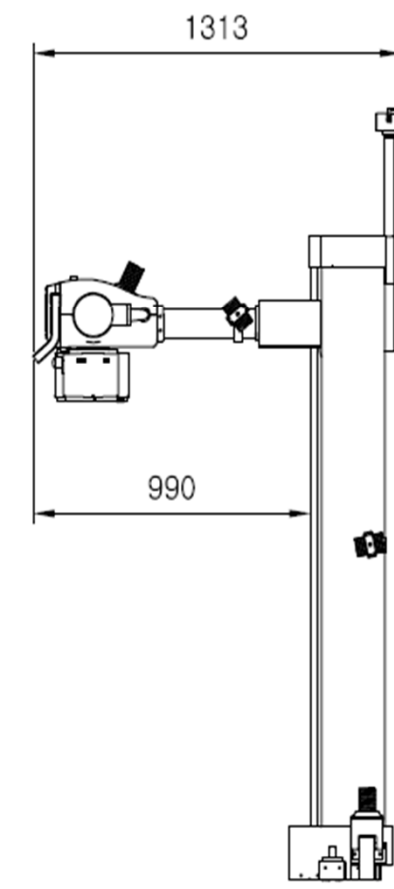
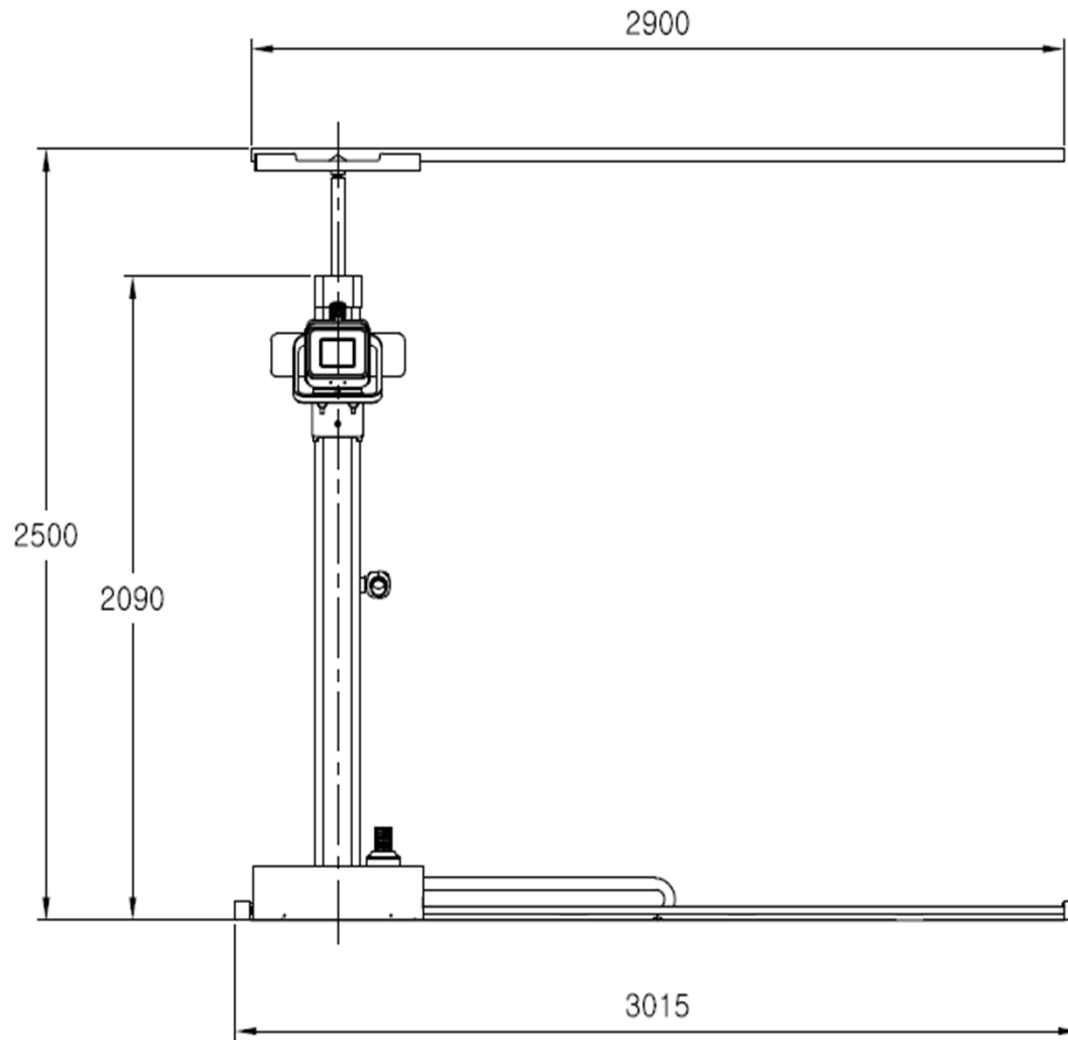
TITAN 2000



GEMSS

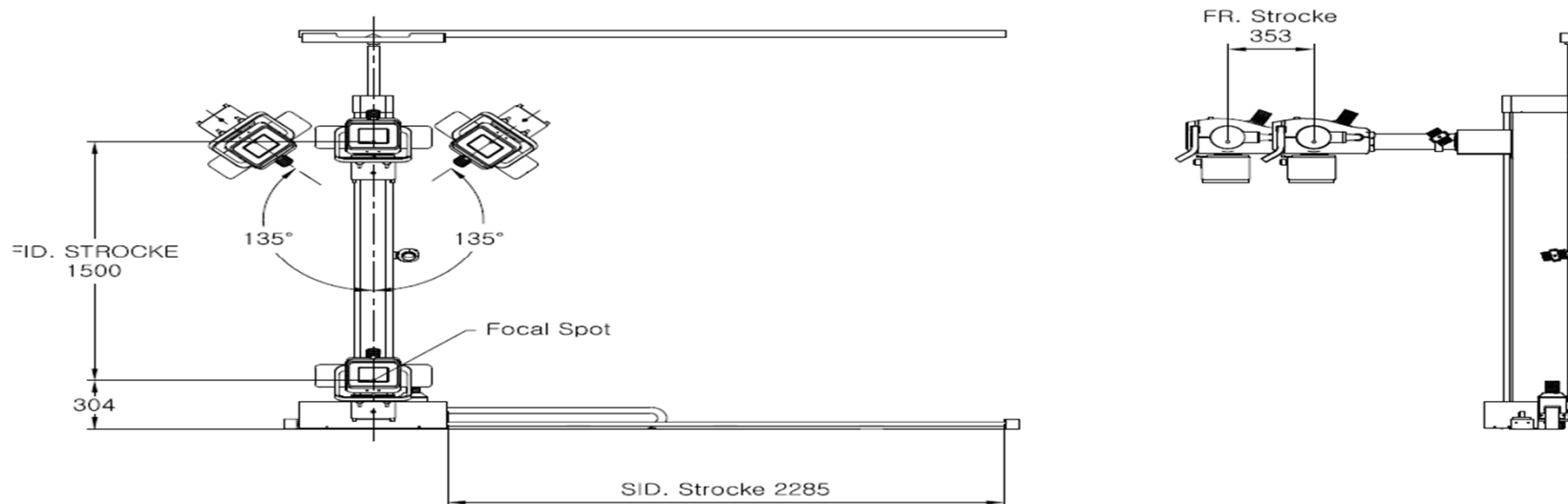
DIMENSION

TITAN 2000

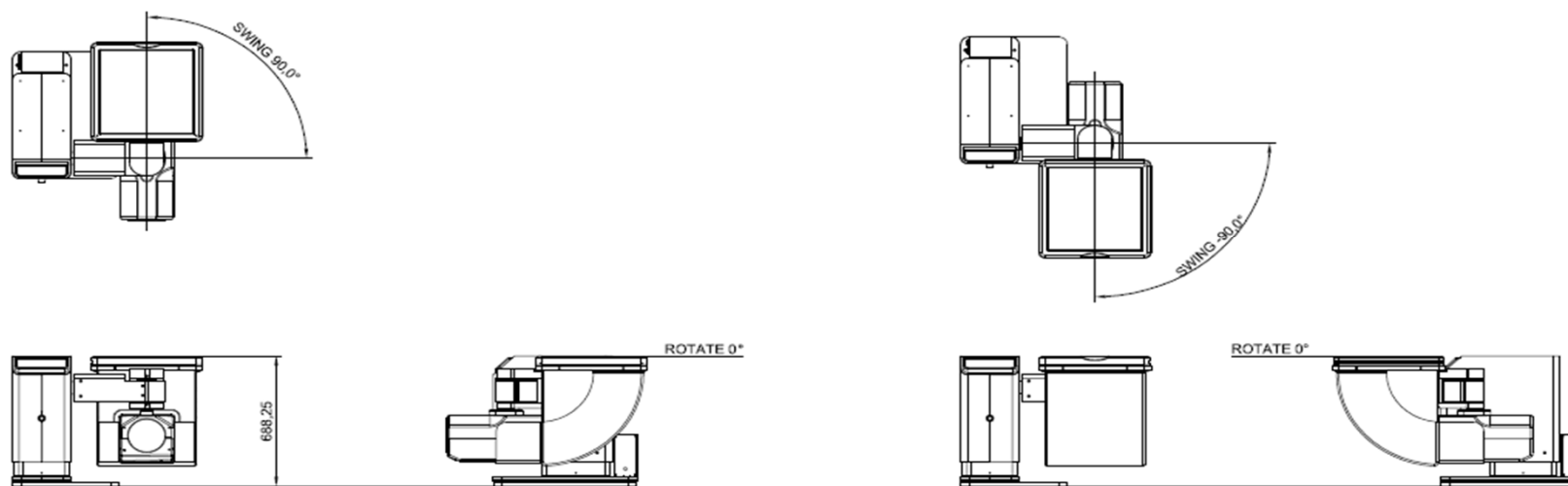


GEMSS

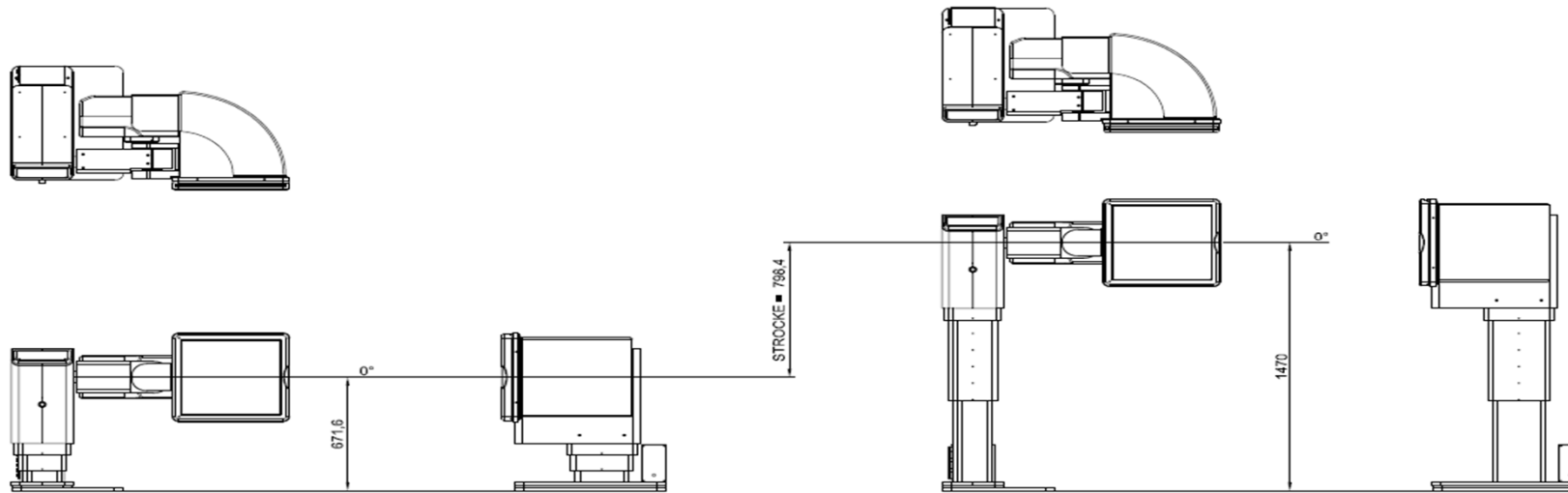
► Table Stand Movement



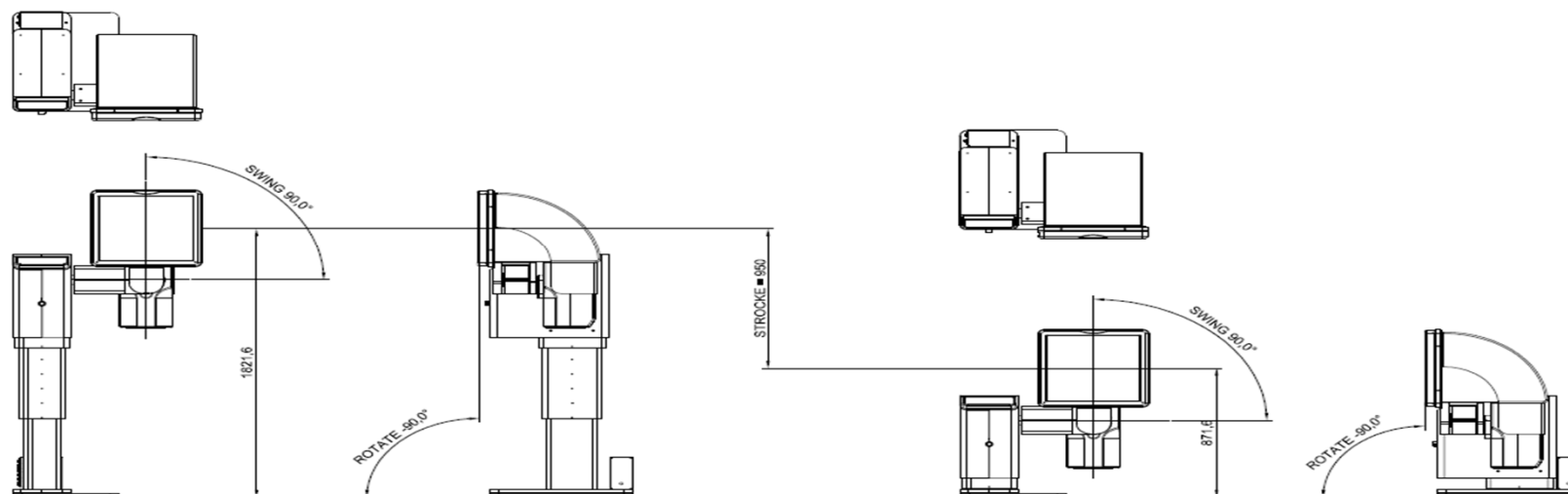
► Detector Movement – Table Mode



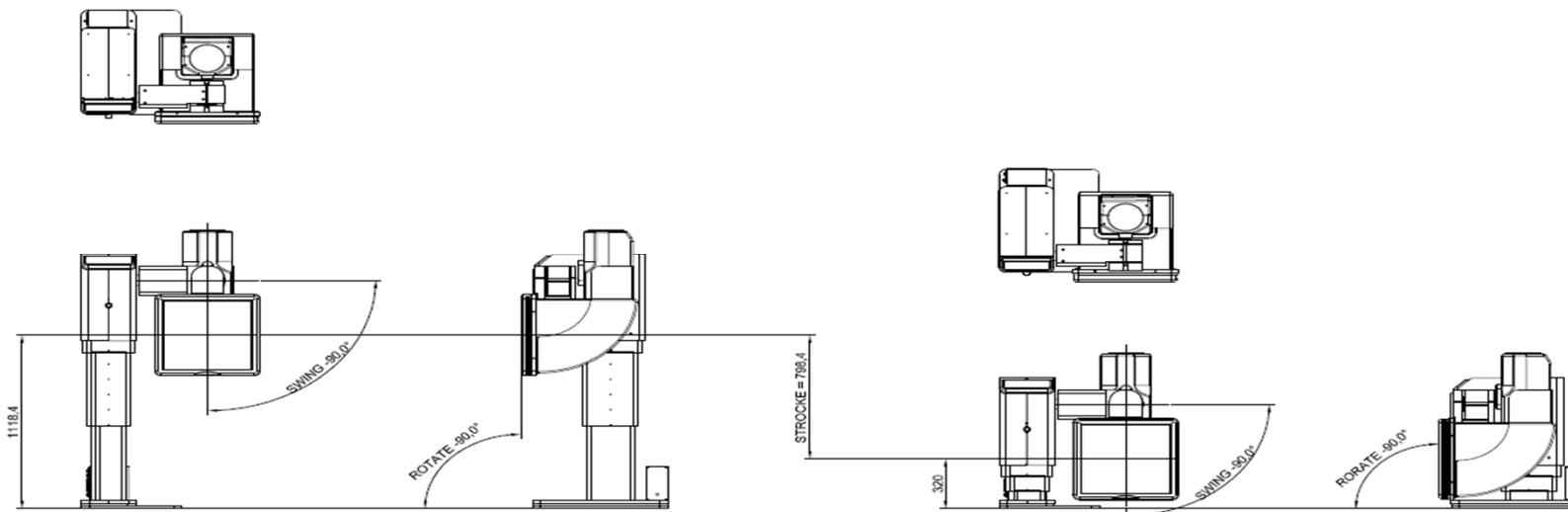
▶ Detector Movement – Decubitus Mode



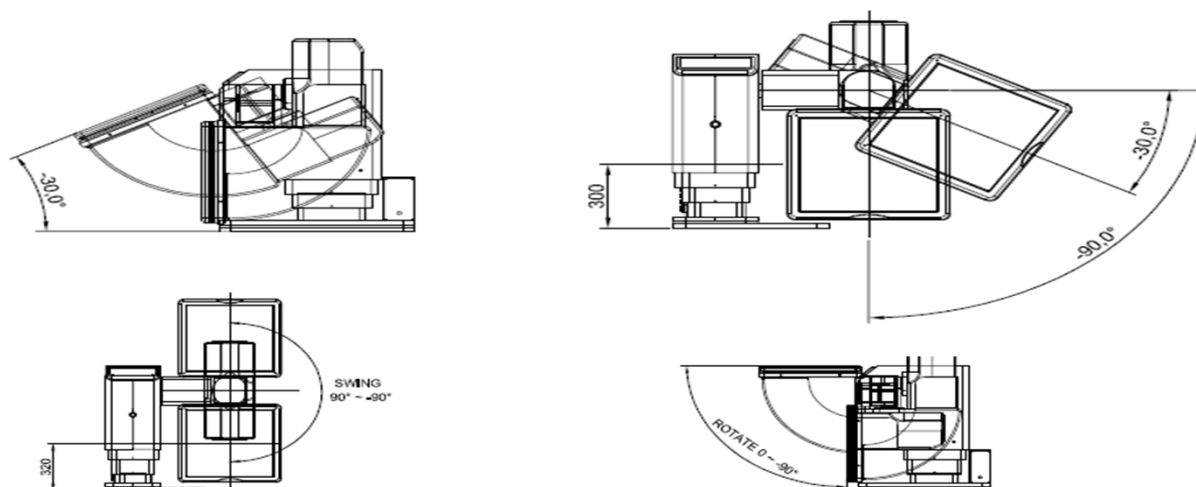
▶ Detector Movement – Table Mode



► Detector Movement – Chest mode -90°



► Detector Movement – Swing & Rotating



SMART Digital X-ray

▶ **SMART INTERFACE**

- User Friendly Tube Stand Control Panel
- Fully compatible with HIS, RIS
- One Touch Function
- APR Sync & Wired Remote Control



▶ **High Quality Image Process**

- FPD Detector
- Fast Image Processing Time
- Various Image Format(DICOM, JPG)
- Automatic Image Stitching
- High Quality Image Preset

• **FPD Detector(OPTION)**

• **All In One System**



FPD image

Other features

► Archiving and Documentation

- DICOM 3.0 compatible
- DVD Burning
- Paper/Film Print
- USB Export



1 High Frequency Generator

*Technical specifications are subject to change without any notice

Generator	40kW
Input power	220VAC Single phase
kVP range	40 – 125kVp
mA Range	25 – 500mA
mAs Range	0.1mAs – 500mAs
MAX kV condition	125kVp @ 250mA at 0.1 sec
MAX current condition	500mA @ 80kVp at 0.1 sec

2 X-Ray Tube

X-ray Tube	E7239x
Focal Spot	1.0 / 2.0 mm
Operating Voltage	40 – 125kVp
Target Angle	16°
Anode Heat Content	140kHU

Specifications

TITAN 2000

3 X-Ray Detector

X-ray Detector	9M	16M
Number of Pixels	3103 X 3086	4145 X 4128
Pixel Size	12um	9um
Spatial Resolution	3.2lp/mm	4.2lp/mm
Scintillator	CsI	CsI (Gos Not available)
Active Image Size	17" X 17"	17" X 17"
Remark	Standard	Option

4 Tube Stand Movement

Tube stand Movement	Floor-Ceiling mounted
Operating	Manual
Up-Down	350 – 1800 mm
Tube F-B movement	350mm
Stand L-R movement	2500mm
Rotation (Telescope axis)	±135°

Comed Medical Systems Co., Ltd

GEMSS

5 Detector Stand

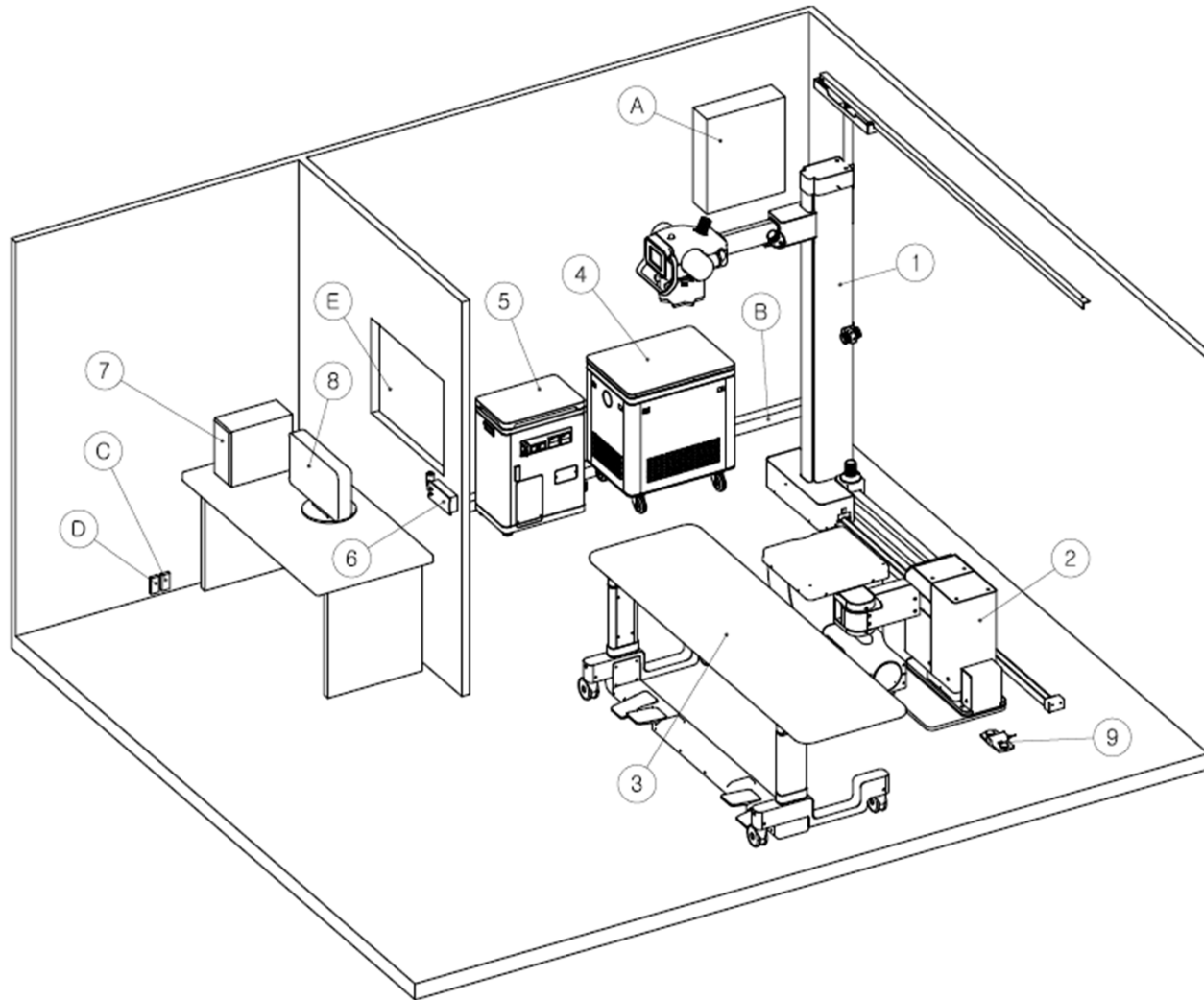
Detector stand	CCD
Detector movements	Tube sync motorized
U-D movements	350 – 1800 mm
Main Frame rotating	\pm CW135° ~ \pm CCW45°
Detector tilting	\pm 90°

6 Patient Table

Patient table	Mobile
Table top dimension	2200 X 700 mm
Table lock	Wheel lock
MAX patient weight	300kg

Room Layout

TITAN 2000



1. TUBE STAND
2. DETECTOR STAND
3. MOBILE TABLE
4. GENERATOR
5. PU-30
6. INTERFACE CONTROLLER
7. PC
8. MONITOR
9. FOOT SWITCH

- A. SWITCH BOARD
1 ϕ 220V AC 40KW
<100 Ω EARTH
- B. DUCT 70 X 70
- C. LEN
- D. 1 ϕ 220 V AC
- E. LEAD GLASS
700mm X 700mm X 7mm
LEAD 1.5%
BOTTOM TO LEAD 1300mm